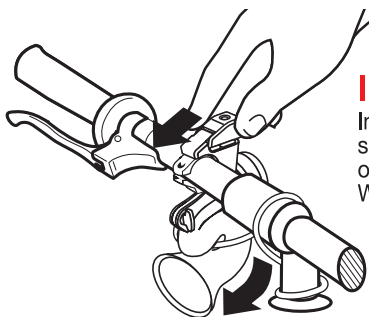
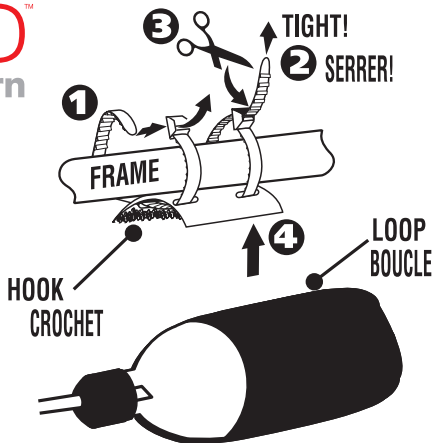


AIRZOUND™

safety bike horn

Installation of Air Zound Pressure Vessel:

Insert in water bottle holder or mount to frame



Installation of Horn

Install clamp onto handlebar using rubber shims supplied. Hook horn onto top of clamp and slide on straight through slot. Horn should click twice. Wrap extra tubing around handlebar and stem.

IMPORTANT:

Make certain neither the horn nor the bottle will fall near wheel should either become dislodged.

To Refill:

1. Set volume control to maximum (unrestrict tube).
2. Lift activator button.
3. Refill (max 80 psi or 5.5 BAR) with bike pump or compressor. Make sure your pump is pushed down over the refill valve as far as possible. The inner pin must be engaged or air will not flow in.
4. Your Air Zound is ready for use.



FOR BEST RESULTS USE SHORT SOUND BURSTS.

Yield: Over 50 half second blasts per 80 psi charge.

ALSO AVAILABLE:

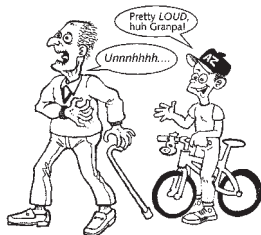
The AirZound Spare Replacement Kit

Includes handlebar clamp, button plus velcro mounting set. AH5000

For Extra Spares kit send (Total \$4.99 + s&h) (USA only)

Attn: AirZound Spares
Delta Cycle Corp.

P.O. Box 628 Foxborough, MA 02035



WARNING:

AIR ZOUND IS VERY LOUD!

Do not use unnecessarily or close to ears.
Use supplied AIR ZOUND Pressure vessel only!
Extreme cold will inhibit performance.

Made and Printed in Canada.
Distributed by Delta Cycle Corp.
P.O. Box 628, Foxborough, MA 02035

www.airzound.com