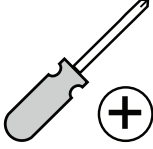
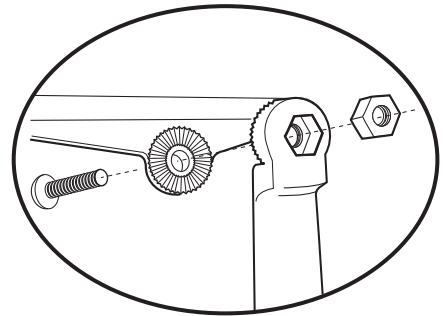
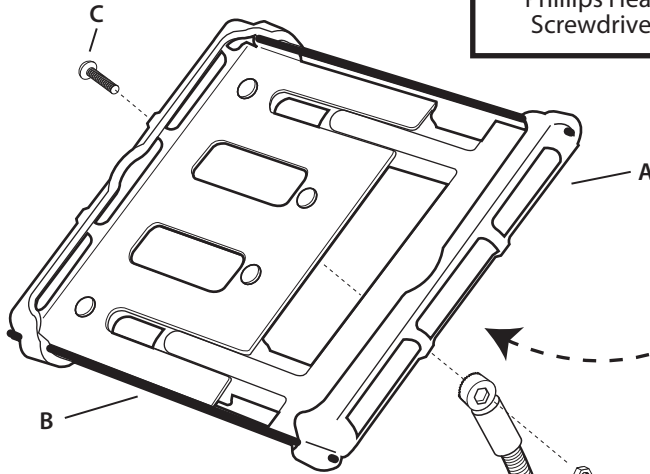


MAKE LIFE EASY : READ AND FOLLOW ALL INSTRUCTIONS
NEED SUPPORT? EMAIL US AT SERVICE@DELTACYCLE.COM 1.800.474.6615

Tool(s) Required	Ref Ltr.	Part Name	Pcs/Set
 Phillips Head Screwdriver	A	Tablet Holder	x1
	B	Bungee	x1
	C	Short Bolt	x1
	D	Flexible Stem	x1
	E	Clamp	x1

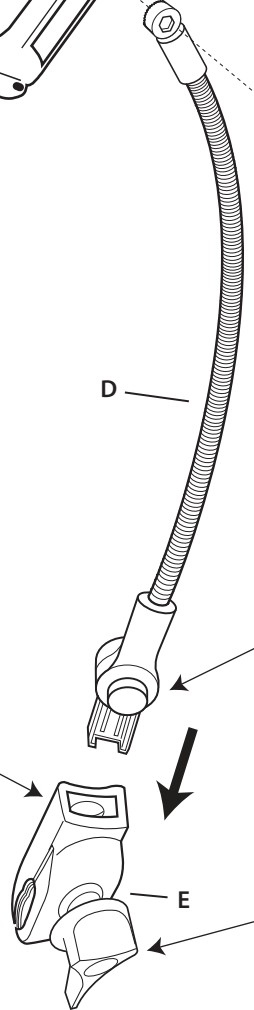


1 Insert screw through clamp stem and tablet holder and secure with nut.

2 Adjust angle as necessary before tightening.

3 Insert into clamp stem until it clicks into place. You may remove the stem by pressing on the release button.

4 Press on stem button to adjust angle.



5 Tighten thumb screw to secure clamp.



Delta Cycle Corporation
 36 York Avenue, Randolph, MA 02368 USA
 Phone: 800 - 474 - 6615

Tablet Holder
 with clamp
 HK7000/ HK7100
 ASSEMBLY DIAGRAM

© Copyright 2017