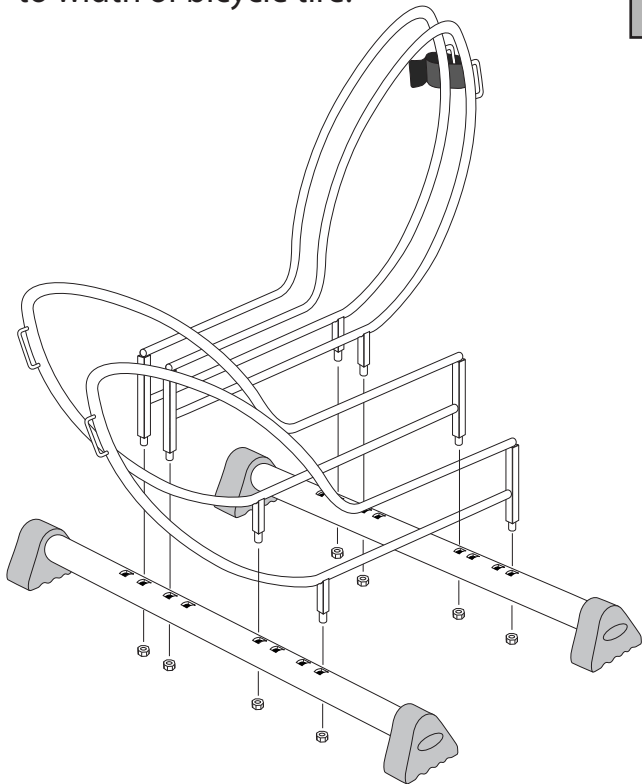


Select holes that correspond to width of bicycle tire.

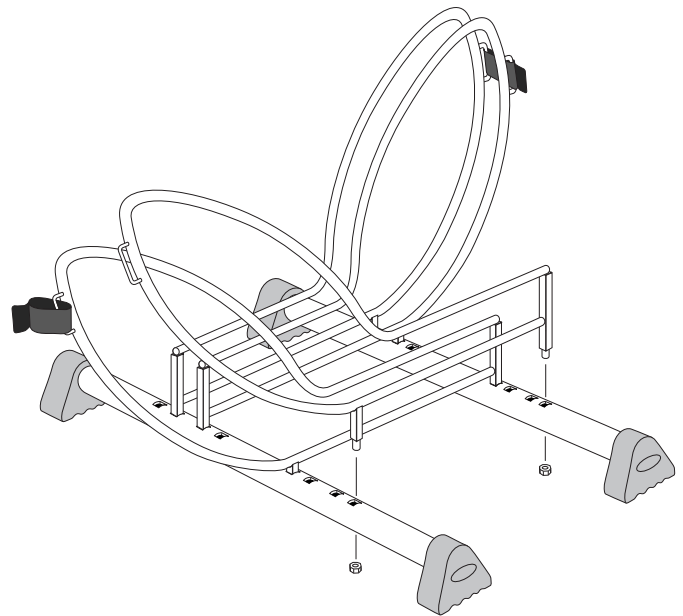
1



Use 10mm (or open ended adjustable) wrench to tighten nuts.

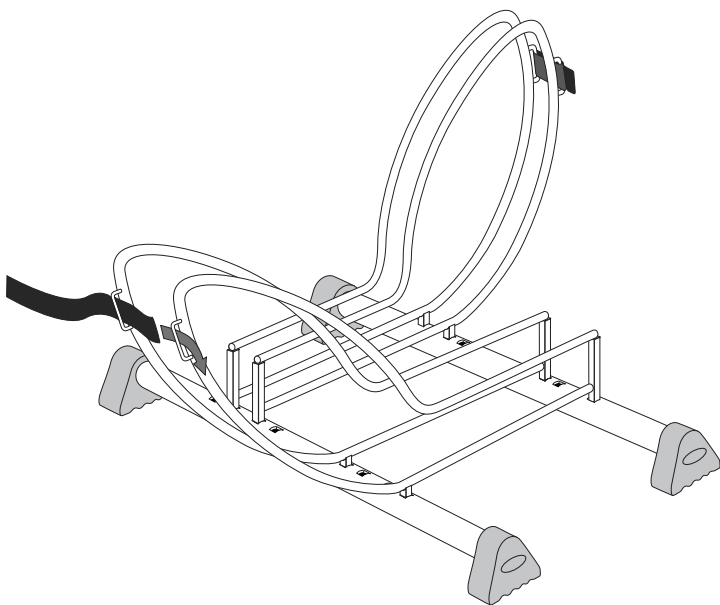
2

NOTE: Nuts may be stiff to tighten.

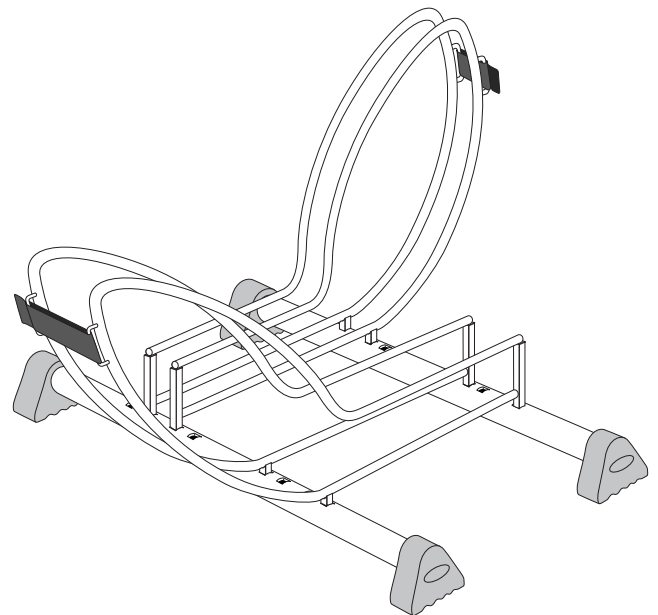


Secure arms at correct width using velcro strap.

3



4



Delta Cycle Corporation
21 Cocasset Street
Foxborough, MA 02035 USA

PART: SEURAT -RS 8000
ASSEMBLY DIAGRAM

© Copyright 2004