

megarack™ ULTRA

bicycle rack
porte-bagages

Installation: Please follow the diagrams for assembling the rack and securing to the bicycle.

Installation : Veuillez procéder comme indiqué sur les diagrammes pour monter le porte-bagages et le fixer au vélo.

Tools required: 4mm allen wrench and a 8mm socket wrench.

1. Attach main leg assembly to underside of the rack tray with the lower holes of the legs facing rearwards. Use two M5 bolts with washers and lock nuts (Figure A).
2. Line up the holes of the adjustable legs to desired height. Then attach the lower leg assembly to the rearward support arms (Figure B).
3. Attach the leg to the bicycle frame using the M5 bolts (Figure B).
4. Adjust the steel connector arms so that rack is approximately level and secure to bicycle* using M5 bolts (Figure C). Tighten the four M5 bolts and nuts holding the rack arms to the tray (Figure D).

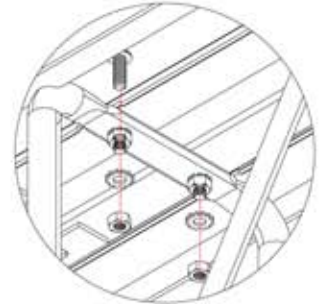
Finally, ensure all bolts are fully tightened.



*optional Delta frame clamps available separately, MR1030 and MR1040 (oversize)

WARNING: Never use rack as a seat or to carry passengers

AVERTISSEMENT: Ne jamais utiliser un porte-bagages comme siège pour transporter des passagers.



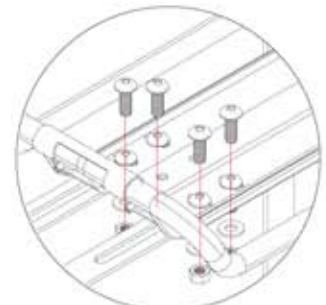
(Figure A)



(Figure B)



(Figure C)



(Figure D)

